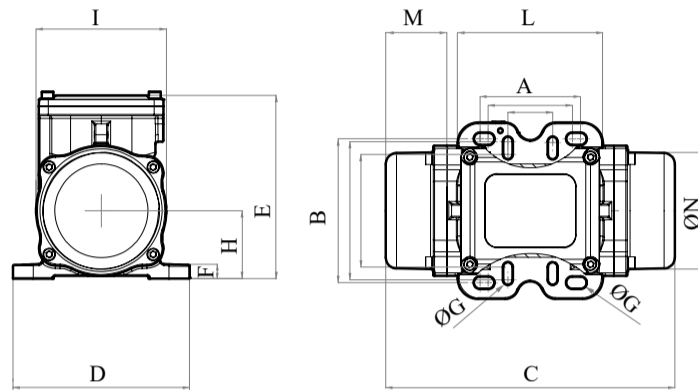




MVE 50/3N-10A0-12V (ENZ0005010A01A0000)

DC - 2 poles - 3000 RPM - 12 V - DC

Working moment [Kg*cm]	Unbalance [Kg*cm]	Centrifugal force [Kg]	Nominal voltage [V]	Input power [kW]	Current [A]	Power factor	Ia/In
1	0,5	50	12	0,08	6,6		



OVERALL DIMENSIONS (mm)																	
Weight [Kg]	A	A1	B	B1	G	G1	Holes number	C	D	E	F	H	I	L	M	N	
4,4	62-74	33	106	83-102	9	7	4	213	130	135	10,5	50	96	107	45	85	

TECHNICAL FEATURES						
Type of grease	Greased for life	Screw	Washer	Clamping torque [Nm]	Cable type	Cable gland
/	Yes	M8-M6	8,4 x 16-6,4 x 12 mm	23-9	4G1.5 80°C	M16 80°C

BEARINGS				
Bearing model	Type	Life 100%	Life 80%	Life 50%
6201 2RS		>100000	>100000	>100000

CERTIFICATION	
Atex II 3D Ex tc IIIc Tx IP66 [Tx Size 10-30:100°C - Tx Size 40-91:135°C] T.Amb -20/+40°C	