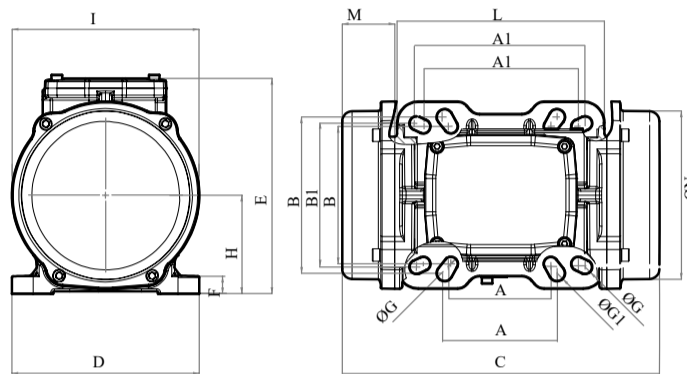




# MVE 100/1E-30A0 (EE60010030A0JA0000)

3 PH - 6 poles - 1000 RPM - 220-240/380-415 V - 50 Hz

Working moment [Kg*cm]	Unbalance [Kg*cm]	Centrifugal force [Kg]	Nominal voltage [V]	Input power [kW]	Current [A]	Power factor	Ia/In
18,8	9,4	105	220-240/380-415	0,12	Δ 0,52 Y 0,3	0,58	2,2



\*Technical drawings are illustrative purposes only, please refer to 2D/3D drawings available on "FINDER" app.  
Contact us for more information.

## OVERALL DIMENSIONS [mm]

Weight [Kg]	A	A1	B	B1	G	G1	Holes number	C	D	E	F	H	I	L	M	N
11	80-90	124-135	110-125	110-115	11	13	4	304	150	173	15	79	150	166	67	134






## TECHNICAL FEATURES

Type of grease	Greased for life	Screw	Washer	Clamping torque [Nm]	Cable type	Cable gland
/	Yes	M10-M12	10,5 x 20 - 13 x 24 mm	45-80	4G2.5 80°C	M20 80°C

## BEARINGS LIFE HOURS

Bearing model	Type	100% C.F	80% C.F	50% C.F
6304 2Z		>100000	>100000	>100000

## CERTIFICATION

ATEX II2 D Ex tb IIIC Tx Db IP66 IECEx Ex tb IIIC Tx Db IP66 CLASS II DIV.2 GROUP F,G T4 Ex tb IIIC Tx Db IP66 [Tx Size Micro,10-30:100°C - Tx Size 40-91:135°C] CONFTO UL1004-3, UL1004-1, UL 60079-0, UL60079-31 CERT. CSA C22.2 No.100, CSA C22.2 No.77, CSA C22.2N.60079-0, CSA C22.2N. 60079-31 T.Amb -20/+40°C	     
--	--

REV:1-22/05/2019

Dimension with coarse degree of accuracy related to UNI 22768/1 Rights reserved to modify technical specifications.