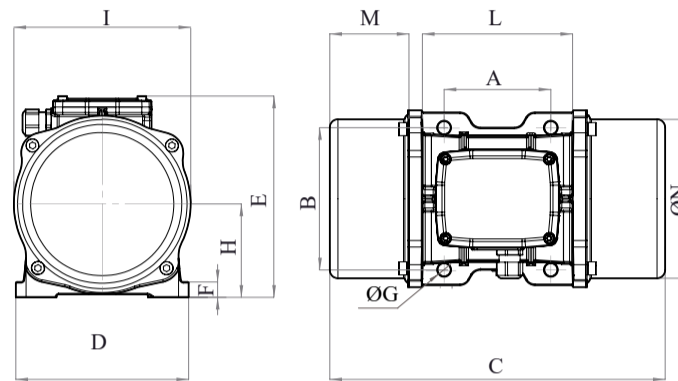


**MVE 200/1E-40A0 (EE60020040A0JA0000)**

3 PH - 6 poles - 1000 RPM - 220-240/380-415 V - 50 Hz

| Working moment [Kg*cm] | Unbalance [Kg*cm] | Centrifugal force [Kg] | Nominal voltage [V] | Input power [kW] | Current [A] | Power factor | Ia/In |
|------------------------|-------------------|------------------------|---------------------|------------------|---------------|--------------|-------|
| 33,49 | 16,75 | 187 | 220-240/380-415 | 0,15 | Δ 1,12 Y 0,65 | 0,33 | 2,2 |



*Technical drawings are illustrative purposes only, please refer to 2D/3D drawings available on "FINDER" app. Contact us for more information.

| OVERALL DIMENSIONS [mm] | | | | | | | | | | | | | |
|-------------------------|-----|-----|----|--------------|-----|-----|-----|----|----|-----|-----|----|-----|
| Weight [Kg] | A | B | G | Holes number | C | D | E | F | H | I | L | M | N |
| 18,8 | 105 | 140 | 13 | 4 | 330 | 170 | 196 | 20 | 92 | 174 | 166 | 78 | 160 |

| TECHNICAL FEATURES | | | | | | |
|--------------------|------------------|-------|------------|----------------------|-------------|-------------|
| Type of grease | Greased for life | Screw | Washer | Clamping torque [Nm] | Cable type | Cable gland |
| / | Yes | M12 | 13 x 24 mm | 80 | 4G2.5 120°C | M20 120°C |

| BEARINGS LIFE HOURS | | | | |
|---------------------|------|----------|---------|---------|
| Bearing model | Type | 100% C.F | 80% C.F | 50% C.F |
| 6306 2Z | | >100000 | >100000 | >100000 |

| CERTIFICATION | |
|--|------------------|
| ATEX II2 D Ex tb IIIC Tx Db IP66 IECEx Ex tb IIIC Tx Db IP66 CLASS II DIV.2 GROUP F,G T4 Ex tb IIIC Tx Db IP66 [Tx Size Micro,10-30:100°C - Tx Size 40-91:135°C] CONFTO UL1004-3, UL1004-1, UL 60079-0, UL60079-31 CERT. CSA C22.2 No.100, CSA C22.2 No.77, CSA C22.2N.60079-0, CSA C22.2N. 60079-31 T.Amb -20/+40°C | |

