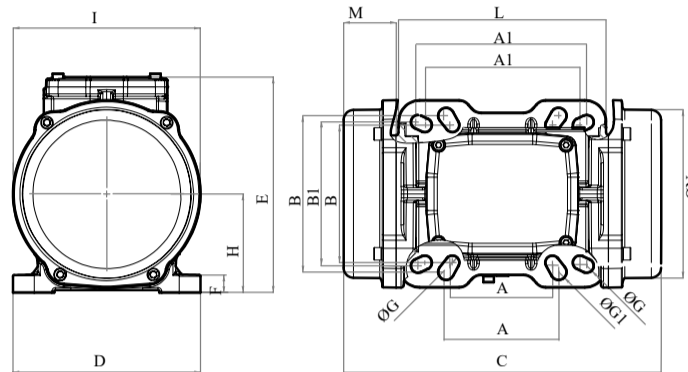




MVE 50/1E-30A0 (EE60005030A0JA0000)

3 PH - 6 poles - 1000 RPM - 220-240/380-415 V - 50 Hz

Working moment [Kg*cm]	Unbalance [Kg*cm]	Centrifugal force [Kg]	Nominal voltage [V]	Input power [kW]	Current [A]	Power factor	Ia/In
9,49	4,75	53	220-240/380-415	0,12	Δ 0,52 Y 0,3	0,58	2,2

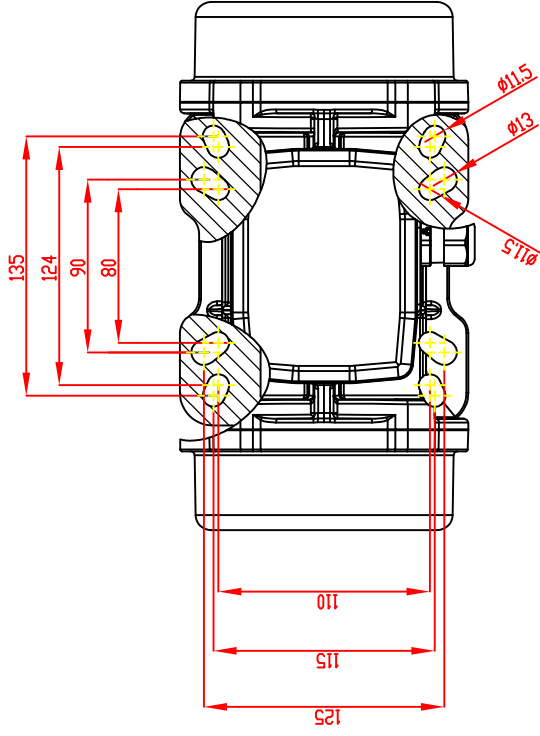
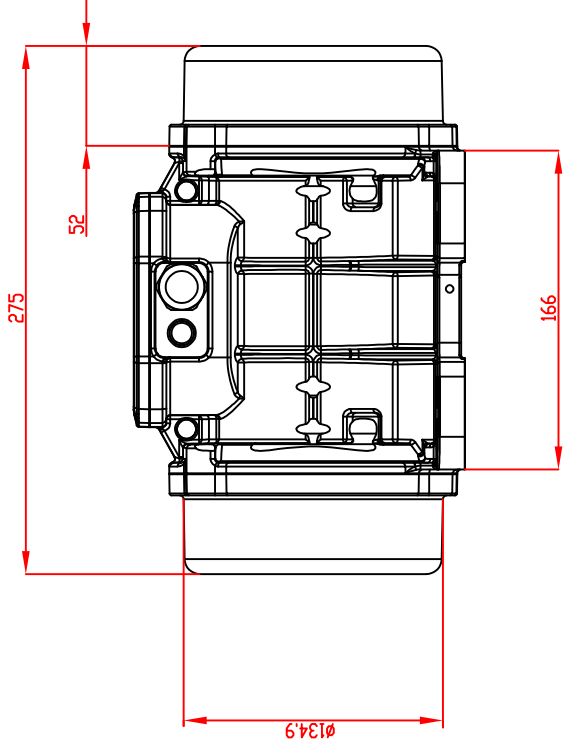
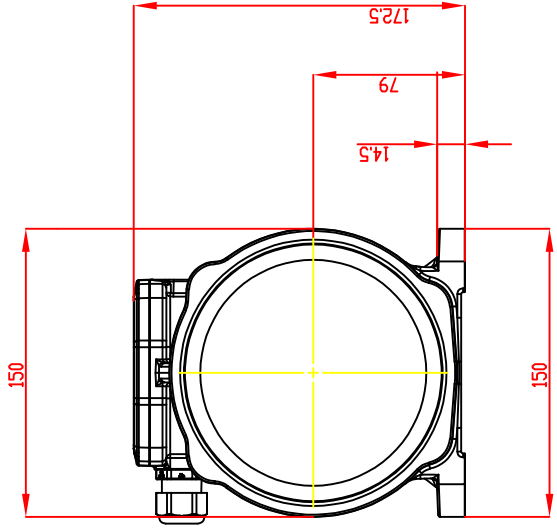


OVERALL DIMENSIONS (mm)																
Weight [Kg]	A	A1	B	B1	G	G1	Holes number	C	D	E	F	H	I	L	M	N
10,4	80-90	124-135	110-125	110-115	11	13	4	274	150	173	15	79	150	166	52	134

TECHNICAL FEATURES						
Type of grease	Greased for life	Screw	Washer	Clamping torque [Nm]	Cable type	Cable gland
/	Yes	M10-M12	10,5 x 20 - 13 x 24 mm	45-80	4G2.5 80°C	M20 80°C

BEARINGS				
Bearing model	Type	Life 100%	Life 80%	Life 50%
6304 2Z		>100000	>100000	>100000

CERTIFICATION	
ATEX II2 D Ex tb IIIC Tx Db IP66 IECEx Ex tb IIIC Tx Db IP66 CLASS II DIV.2 GROUP F,G T4 Ex tb IIIC Tx Db IP66 [Tx Size Micro,10-30:100°C - Tx Size 40-91:135°C] CONF.TO UL1004-3, UL1004-1, UL 60079-0, UL60079-31 CERT. CSA C22.2 No.100, CSA C22.2 No.77, CSA C22.2N.60079-0, CSA C22.2N.60079-31 T.Amb -20/+40°C	



TRILTECHNIEKSHOP.NL

Surface Finish Material Sheet Format Scale Drawing code	<input checked="" type="checkbox"/> Surface Finish <input checked="" type="checkbox"/> Material <input type="checkbox"/> Sheet Format <input type="checkbox"/> Scale <input type="checkbox"/> Drawing code	AC 1:2 MVE400-3-36_MVE200-15-18_MVE50-1-12-30A0	Fig. 3/90 MVE400-3-36_MVE200-15-18_MVE50-1-12-30A0	Parting Designed by Approved by Checked by Date Date Date Model N° Rev. N° 0
	Description MVE400-3-36_MVE200-15-18_MVE50-1-12-30A0			Model N° Rev. N° 0

