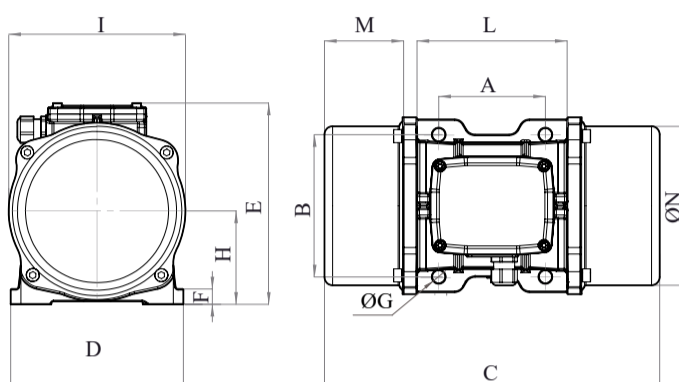


**MVE 700/3E-40A0 (EE20070040A0JA0000)**

3 PH - 2 poles - 3000 RPM - 220-240/380-415 V - 50 Hz

| Working moment [Kg*cm] | Unbalance [Kg*cm] | Centrifugal force [Kg] | Nominal voltage [V] | Input power [kW] | Current [A] | Power factor | Ia/In |
|------------------------|-------------------|------------------------|---------------------|------------------|---------------|--------------|-------|
| 14,9 | 7,45 | 758 | 220-240/380-415 | 0,59 | Δ 2,16 Y 1,25 | 0,68 | 4,5 |



| OVERALL DIMENSIONS (mm) | | | | | | | | | | | | | |
|-------------------------|-----|-----|----|--------------|-----|-----|-----|----|----|-----|-----|----|-----|
| Weight [Kg] | A | B | G | Holes number | C | D | E | F | H | I | L | M | N |
| 16,5 | 105 | 140 | 13 | 4 | 330 | 170 | 196 | 20 | 92 | 169 | 166 | 78 | 158 |

| TECHNICAL FEATURES | | | | | | |
|--------------------|------------------|-------|------------|----------------------|-------------|-------------|
| Type of grease | Greased for life | Screw | Washer | Clamping torque [Nm] | Cable type | Cable gland |
| / | Yes | M12 | 13 x 24 mm | 80 | 4G2.5 120°C | M20 120°C |

| BEARINGS | | | | |
|---------------|------|-----------|----------|----------|
| Bearing model | Type | Life 100% | Life 80% | Life 50% |
| 6306 2Z | | 1276 | 2492 | 10208 |

| CERTIFICATION | |
|--|------------------|
| ATEX II2 D Ex tb IIIC Tx Db IP66 IECEx Ex tb IIIC Tx Db IP66 CLASS II DIV.2 GROUP F,G T4 Ex tb IIIC Tx Db IP66 [Tx Size Micro,10-30:100°C - Tx Size 40-91:135°C] CONFTO UL1004-3, UL1004-1, UL 60079-0, UL60079-31 CERT. CSA C22.2 No.100, CSA C22.2 No.77, CSA C22.2N.60079-0, CSA C22.2N. 60079-31 T.Amb -20/+40°C | |

REV.1-22/05/2019

